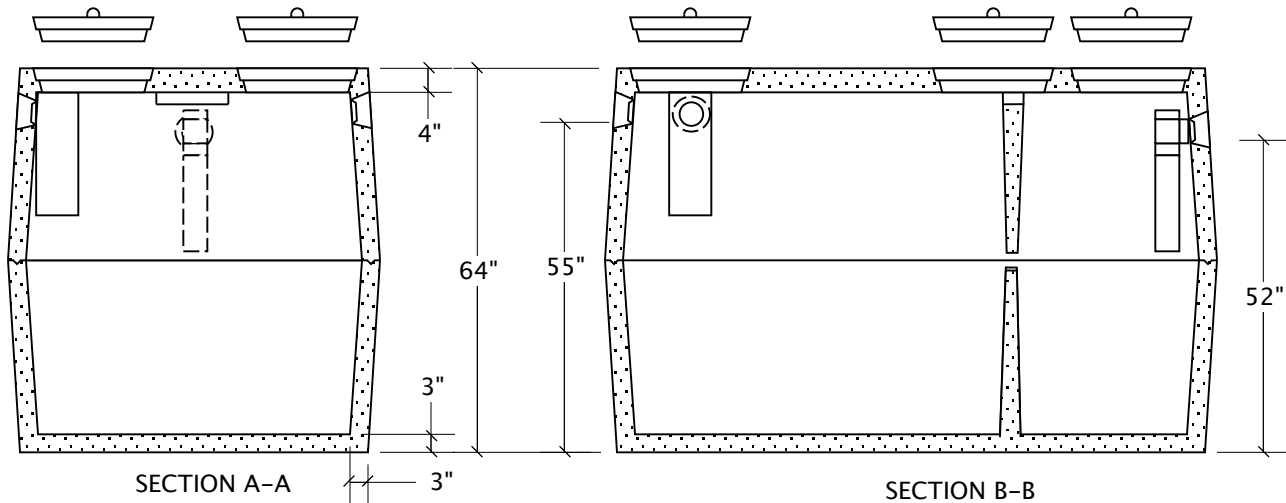
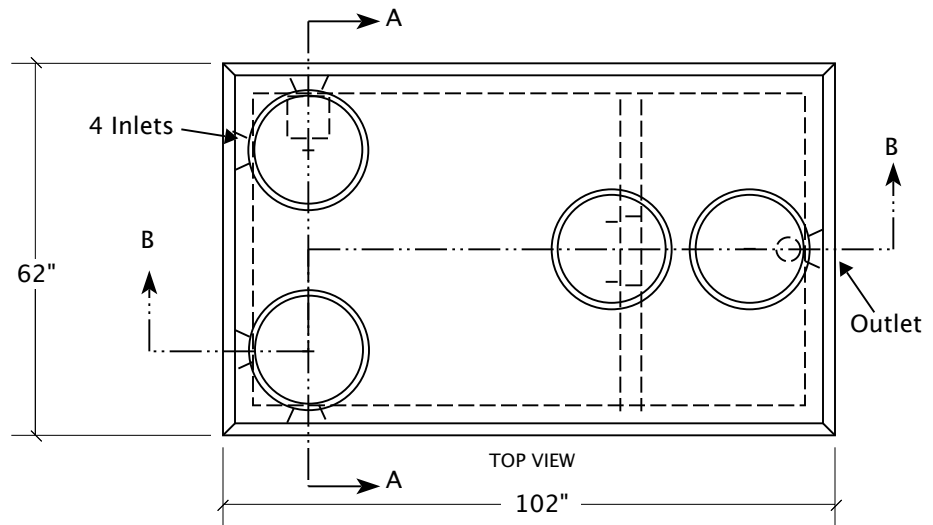


1000 GALLON TWO COMPARTMENT SEPTIC TANK

NOTES:

- * 1000 US Gallon Capacity
- * 4 Self sealing inlets for 4 inch pipe
- * Polypropylene Inlet Baffle
- * 1 Self sealing outlet
- * Outlet tee and filter included
- * Fiber reinforcement throughout
- * Concrete: 5000psi min
- * ASTM C 1227
- * T&G joint sealed with butyl sealant
- * Covers 18" nominal diameter
- * No jam cover design with coated steel handles
- * Weight Top Section: 4300 lbs.
- * Weight Bottom Section: 4000 lbs.



Richard Septic Systems, Inc.

350 Cedar Lane, Torrington, CT 06790
 860.482.1631 800.TANX R US (826.9787)
 fax 860.482.8800 www.richardseptic.com

PRECAST CONCRETE SEPTIC TANKS

1000 GALLON Two Compartment Not to scale
 Drawing No: ST1000-2 1/17/2012 By: JGR