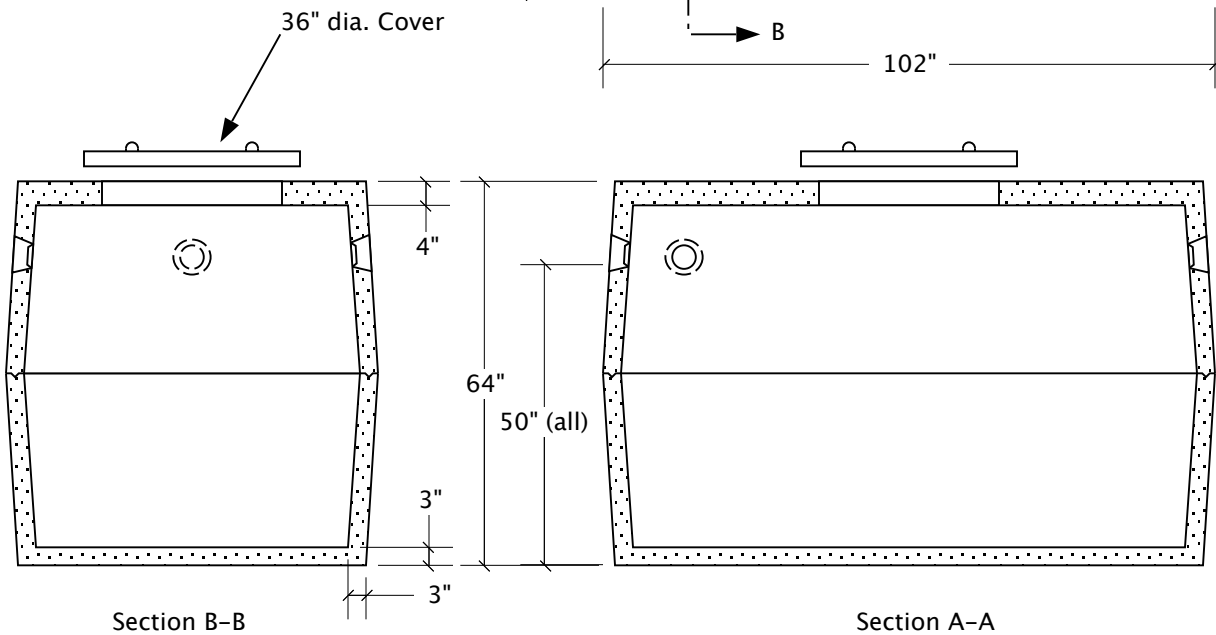
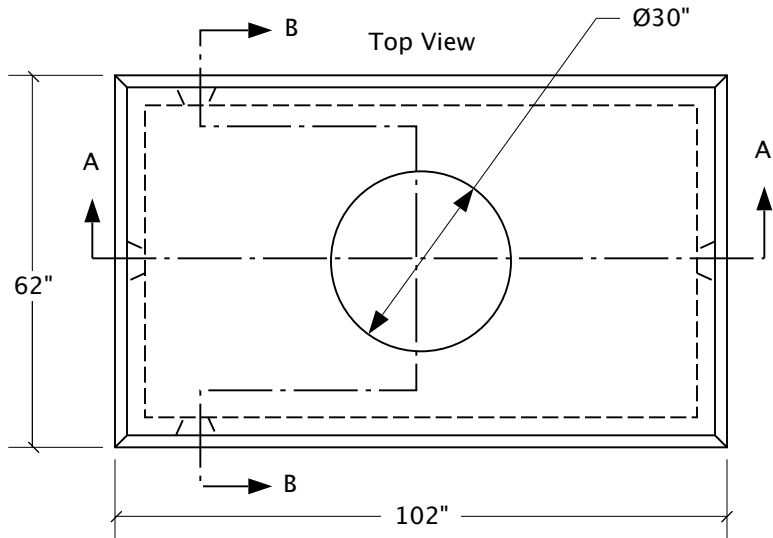


1000 US GALLON PUMP CHAMBER

NOTES:

- * 1000 US Gallon Capacity @ 47 Inch Liquid Depth
- * All inlets same elevation- 50 inches to bottom
- * 4 Self sealing inlets for 4 inch pipe
- * Fiber reinforcement throughout
- * Concrete: 5000psi min
- * ASTM C 1227
- * Includes 36 inch x 2.5 inch thick flat cover
- * T&G joint sealed with butyl seal
- * Total weight: 8000 lbs.



Richard Septic Systems, Inc.
 350 Cedar Lane, Torrington, CT 06790
 860.482.1631 800.TANX R US (826.9787)
 fax 860.482.8800 www.richardseptic.com

PRECAST CONCRETE PUMP CHAMBER
 1000 US Gallon capacity Scale: 3/8"=1 foot
 Drawing No: PC1000 6/2/2011 By: JGR