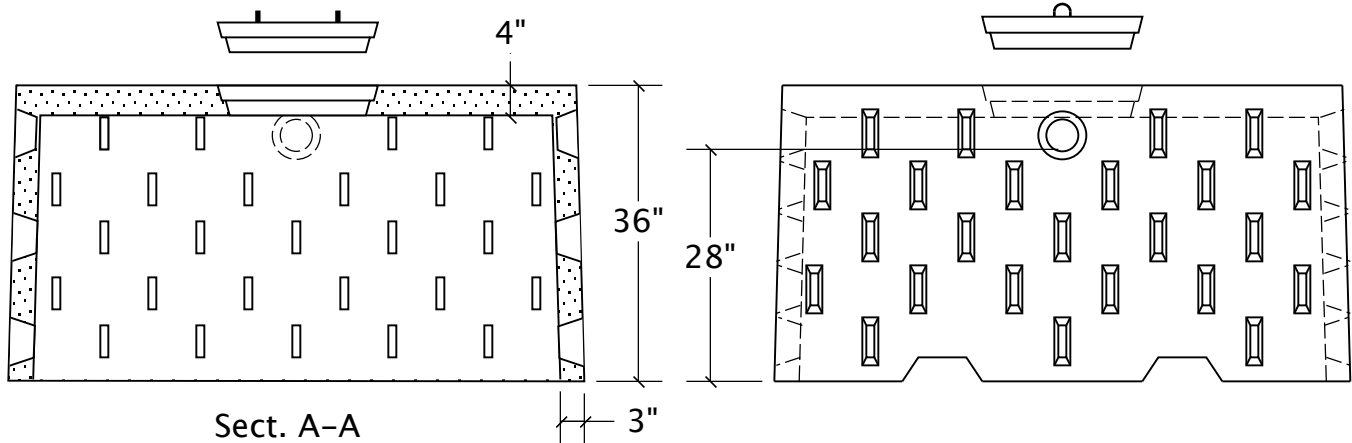
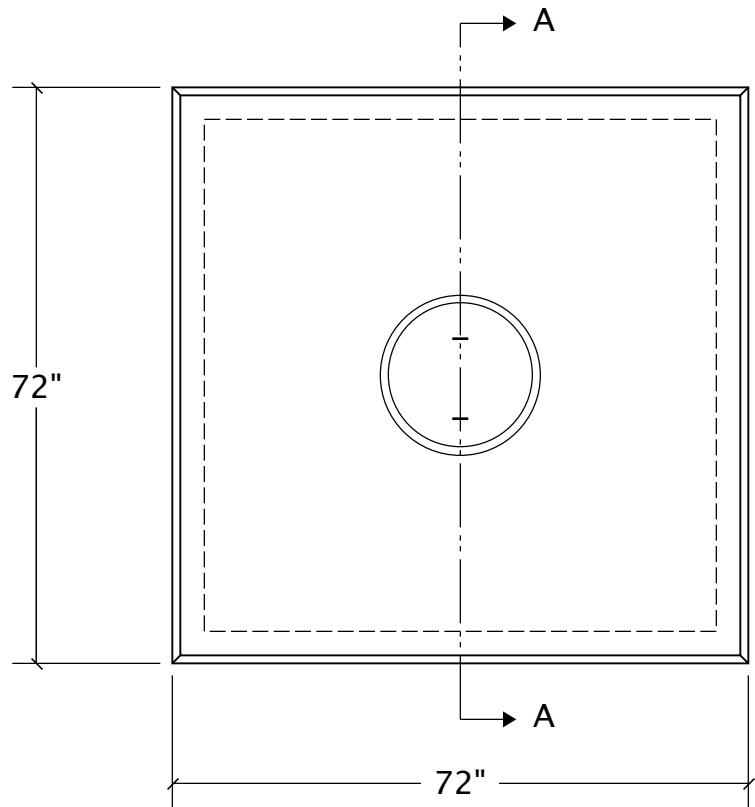


# 600 Gallon DRYWELL

**NOTES:**

- \* 600 Gallon interior capacity
- \* Stackable for additional capacity
- \* Concrete: 5000psi min
- \* Fiber reinforcement throughout
- \* ASTM C 1227
- \* Heavy duty reinforcement available
- \* 4" Pipe Knockouts
- \* 18" Access Cover



**Richard Septic Systems, Inc.**  
 350 Cedar Lane, Torrington, CT 06790  
 860.482.1631 800.TANX R US (826.9787)  
 fax 860.482.8800 www.richardseptic.com

**PRECAST CONCRETE DRYWELL**  
 6x6x3 Drywell Not to scale  
 Drawing No: DW6 9/26/2012 By: JGR