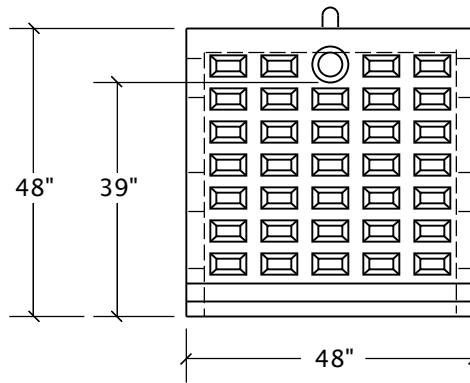


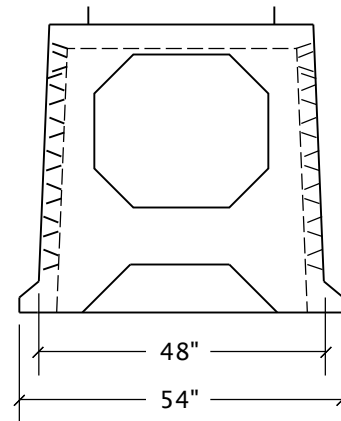
4x4x4 Leaching Galleries

NOTES:

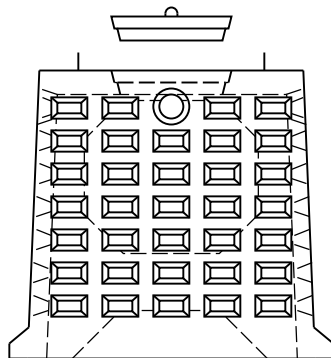
- * Walls: 3" thick nominal
- * Top: 4 "
- * Pipe knockouts on all ends and sides
- * 18" covers on end sections. Optional on center sections
- * Weep holes punched before shipping
- * Fiber reinforcement throughout
- * 5000psi concrete
- * Weight center section 2000 lbs.
- * Weight end section 2100 lbs.
- * H-20 reinforcement optional



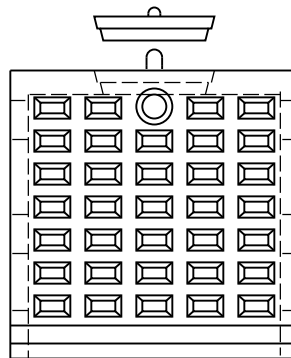
Center Section Side View



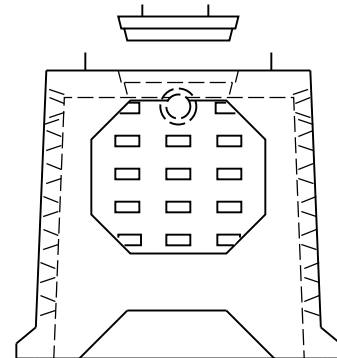
Center Section End View



End Section Front View



End Section Side View



End Section End View



Richard Septic Systems, Inc.
 350 Cedar Lane, Torrington, CT 06790
 860.482.1631 800.TANX R US (826.9787)
 fax 860.482.8800 www.richardseptic.com

PRECAST CONCRETE LEACHING CHAMBERS

Type 4x4C, 4X4E Not to scale
 Drawing No: 4X4 1/31/2012 By: JGR