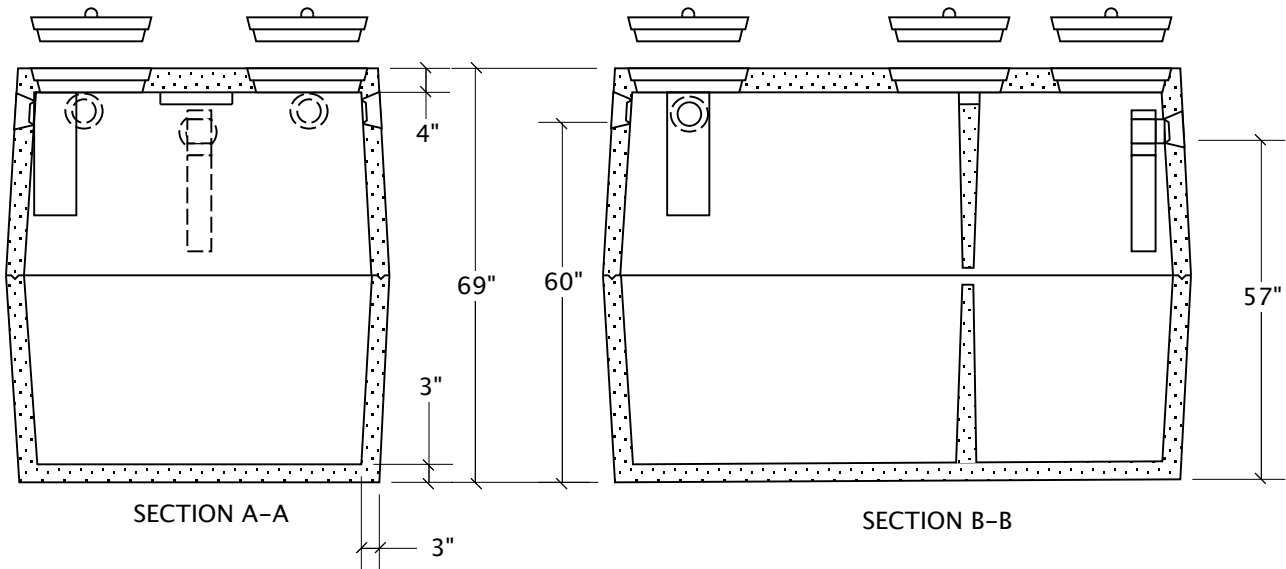
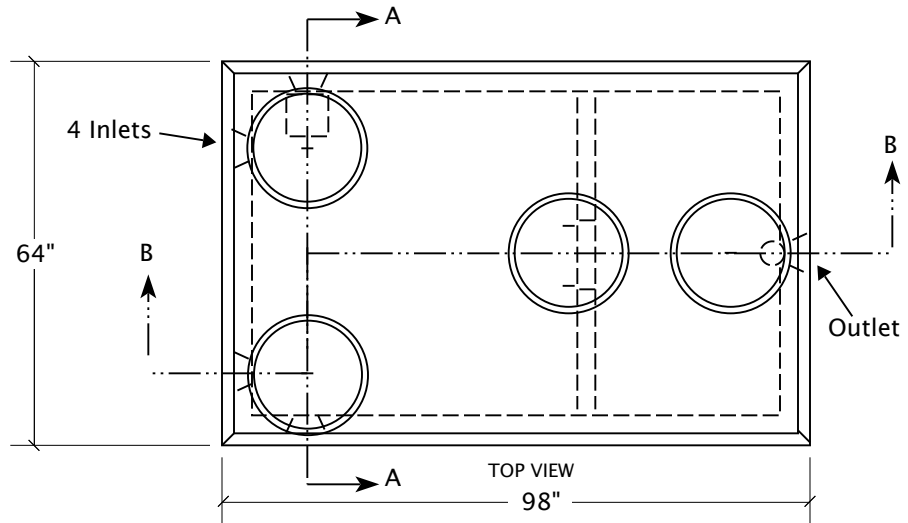


# 1250 GALLON TWO COMPARTMENT SEPTIC TANK

## NOTES:

- \* 1250 US Gallon Capacity
- \* 4 Self sealing inlets for 4 inch pipe
- \* Polypropylene Inlet Baffle
- \* 1 Self sealing outlet
- \* Outlet tee and filter included
- \* Fiber reinforcement throughout
- \* Concrete: 5000psi min
- \* ASTM C 1227
- \* T&G joint sealed with butyl sealant
- \* Covers 18" nominal diameter
- \* No jam cover design with coated steel handles
- \* Weight Top Section: 5000 lbs.
- \* Weight Bottom Section: 4650 lbs.



**Richard Septic Systems, Inc.**

350 Cedar Lane, Torrington, CT 06790  
 860.482.1631 800.TANX R US (826.9787)  
 fax 860.482.8800 www.richardseptic.com

**PRECAST CONCRETE SEPTIC TANKS**

1250 GALLON Two Compartment Not to scale  
 Drawing No: ST1250-2 1/17/2012 By: JGR