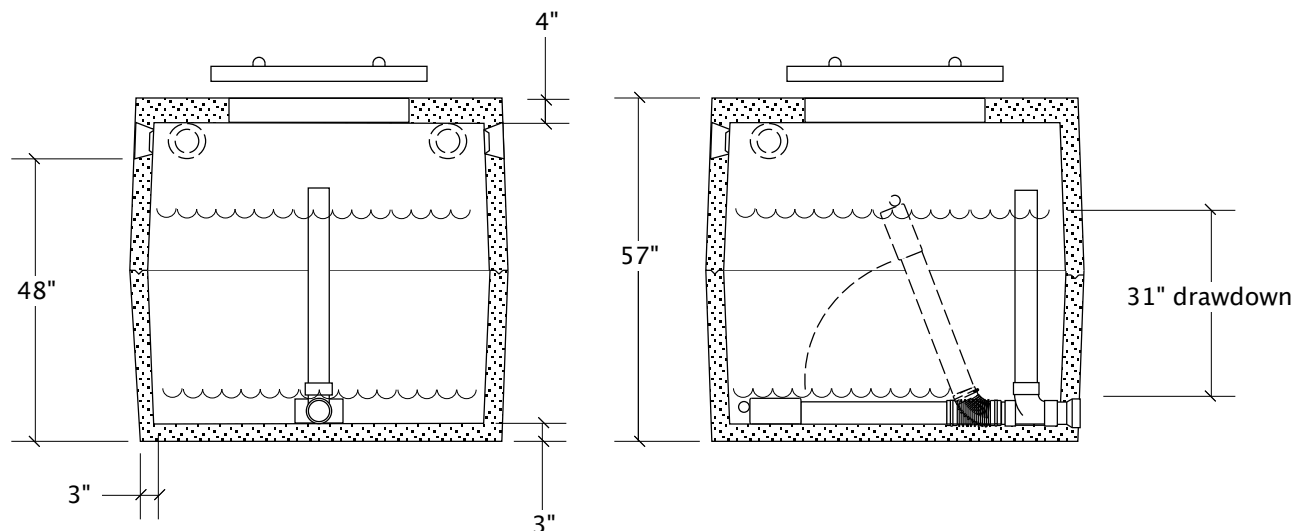
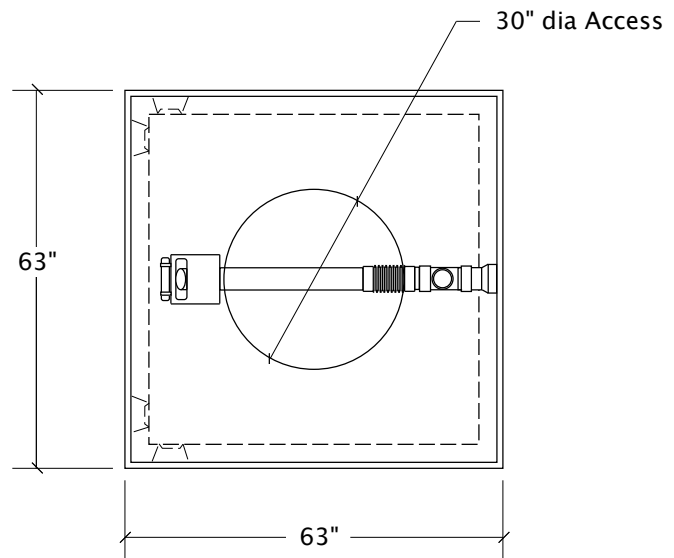


420 US GALLON DOSING CHAMBER with FLOUT® Dosing System

NOTES:

- * Equipped with a FLOUT® dosing device with 3" dia. outlet. 1-6 outlets. Sequenced outlets available
- * 420 US Gallon Dose @ 31 inch drawdown
- * 4 Self sealing inlets for 4 inch pipe
- * Fiber reinforcement throughout
- * Concrete: 5000psi min
- * ASTM C 1227
- * T&G joint sealed with butyl sealant
- * 30" dia access with 36" cover
- * Weight Top Section: 2200 lbs.
- * Weight Bottom Section: 2000 lbs.



Richard Septic Systems, Inc.
350 Cedar Lane, Torrington, CT 06790
860.482.1631 800.TANX R US (826.9787)
fax 860.482.8800 www.richardseptic.com

PRECAST CONCRETE DOSING CHAMBER
420 US Gallon capacity Not to scale
Drawing No: FDC420 1/17/2012 By: JGR